

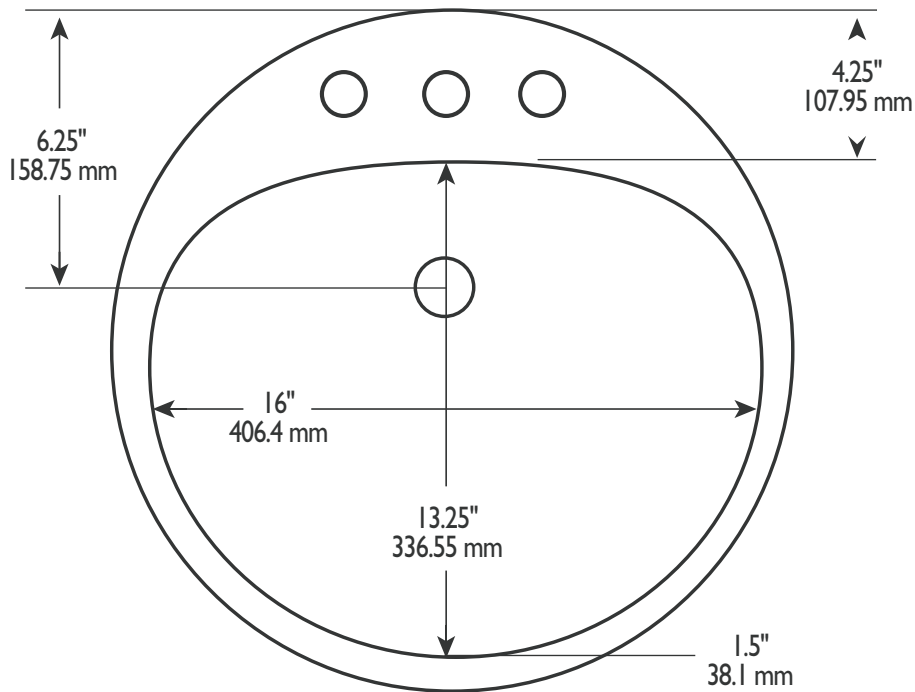
# CorStone®

## ANDERSON MODEL 90

Dimensions: 19" x 19" x 7" / 482.6 mm x 482.6 mm x 177.8 mm



Cutout Dimensions:  
17" round (431.8 mm)



Available in 4" or 8" spread (101.6 mm or 203.2 mm)

Faucet & drain not included



Certified by:  
National Association of Homebuilders (NAHB)  
Research Center and CSA International

Meets or Exceeds:  
CSA B45.0-02 ANSI Z 124.3 - 1995  
CSA B45.5-02 ANSI Z 124.6 - 1997

All designs and specifications  
subject to change without notice

All dimensions are  $\pm 1/4"$  (6.35 mm)

E-mail: [info@corstonesinks.com](mailto:info@corstonesinks.com)

700051 © 2006 CorStone, Inc.  
United States Patents US437,035, US441,853, US442,679, US453,554, US457,944 and other Patents Pending may apply.