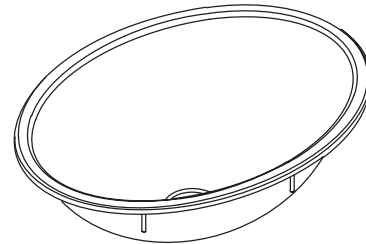


FEATURES

- 19-3/8" (49.2cm) x 14-3/8" (36.5cm)
- *Stainless Steel*
- *Self-Rimming*
- *Satin finish with Hushcoat undercoat (-S)*
- *Mirror finish with Hushcoat undercoat (-M)*
- *20 gauge stainless steel*
- *Installation hardware included*
- *No overflow, PVC tube and drain gasket included to cover overflow hole in faucet drain assembly*
- *With sealant*



CODES/STANDARDS APPLICABLE

Specified model meets or exceeds the following:

- *ASME/ANSI A112.19.3M*
- *Canadian Standards Association (CSA)*

COLORS/FINISHES

- NA Not Applicable

Accessories:

- CP Polished Chrome
- Other Refer to Faucets Price Book for additional finishes

SPECIFIED MODEL:

Model	Description	Colors/Finishes
K-2605-S	Satin finish with hushcoat undercoat lavatory	<input type="checkbox"/> NA
K-2605-M	Mirror finish with hushcoat undercoat lavatory	<input type="checkbox"/> NA

Recommended Accessories		
K-8998	Trap	<input type="checkbox"/> CP <input type="checkbox"/> Other _____

Included Accessories	
63034	Adhesive sealant
33507	Drain gasket
62603	Tube
56655	Basin clamp assembly

PRODUCT SPECIFICATION:

The oval lavatory shall be 19-3/8" (49.2cm) in length, and 14-3/8" (36.5cm) in width. Lavatory shall be made of 20 gauge stainless steel. Lavatory shall be self-rimming installation. Lavatory shall have satin finish with Hushcoat undercoat (-S), mirror finish with Hushcoat undercoat (-M), Lavatory shall have PVC tube and drain gasket to cover overflow hole in faucet drain assembly and include installation hardware and sealant. Lavatory shall be Kohler Model K-2605 - _____ - _____.

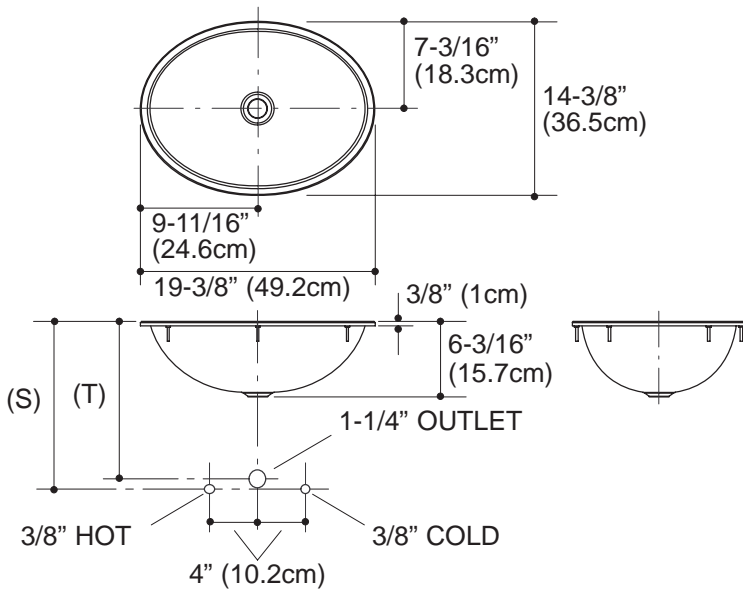
PRODUCT INFORMATION

Fixture*:		basin area	water depth
Lavatory		17-3/4" (45.1cm) x 12-3/4" (32.4cm)	5-7/8" (14.9cm)
Outlet	1-5/8" D. (4.1cm)		
Included Components:			
Adhesive sealant			63034
Drain gasket			33507
Tube			62603
Basin clamp assembly			56655
Cutout template			1015186-7

INSTALLATION NOTES

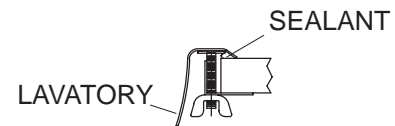
Fixture dimensions are nominal and conform to tolerances in ASME Standard A112.19.3M.

Supplied basin clamp assembly requires 1/2" (1.3cm) minimum countertop thickness. Installer must supply anchors for thinner countertops.



(T) Pop-up drain 13-1/8" (33.3cm).

(S) 14" (36.2cm) (Based on 12" (30.5cm) riser which may require cutting).



PRODUCT DIAGRAM