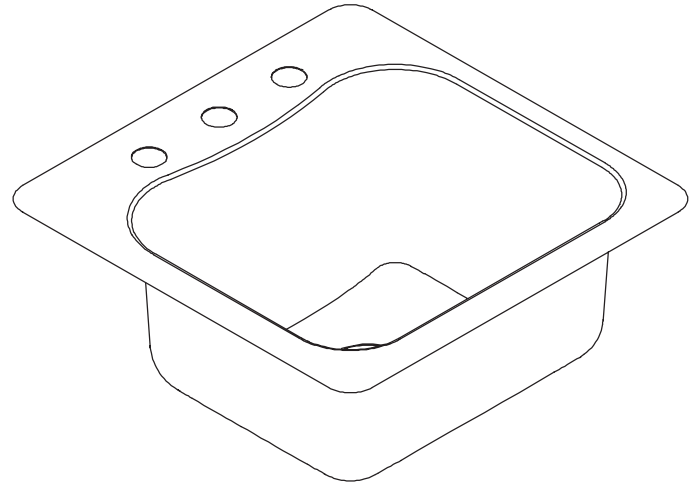


FEATURES

- 20" (50.8cm) x 20" (50.8cm)
- 18 gauge stainless steel
- Self-rimming
- Single compartment
- 3-hole (K-3363-3), 2-hole (K-3363-2) or single-hole (K-3363-1) faucet punching
- Includes installation hardware



CODES/STANDARDS APPLICABLE

Specified model meets or exceeds the following:

- None applicable

COLORS/FINISHES

- NA None Applicable

Accessories:

- CP Polished Chrome
- NA None Applicable
- Other Refer to Price Book for additional colors

SPECIFIED MODEL:

Model	Description	Colors/Finishes
K-3363-3	3-hole sink	<input type="checkbox"/> NA
K-3363-2	2-hole sink	<input type="checkbox"/> NA
K-3363-1	Single-hole sink	<input type="checkbox"/> NA
Optional Accessories		
K-3367	Hardwood cutting board	<input type="checkbox"/> NA
K-8813	Duostrainer sink strainer	<input type="checkbox"/> CP <input type="checkbox"/> Other_____

PRODUCT SPECIFICATION:

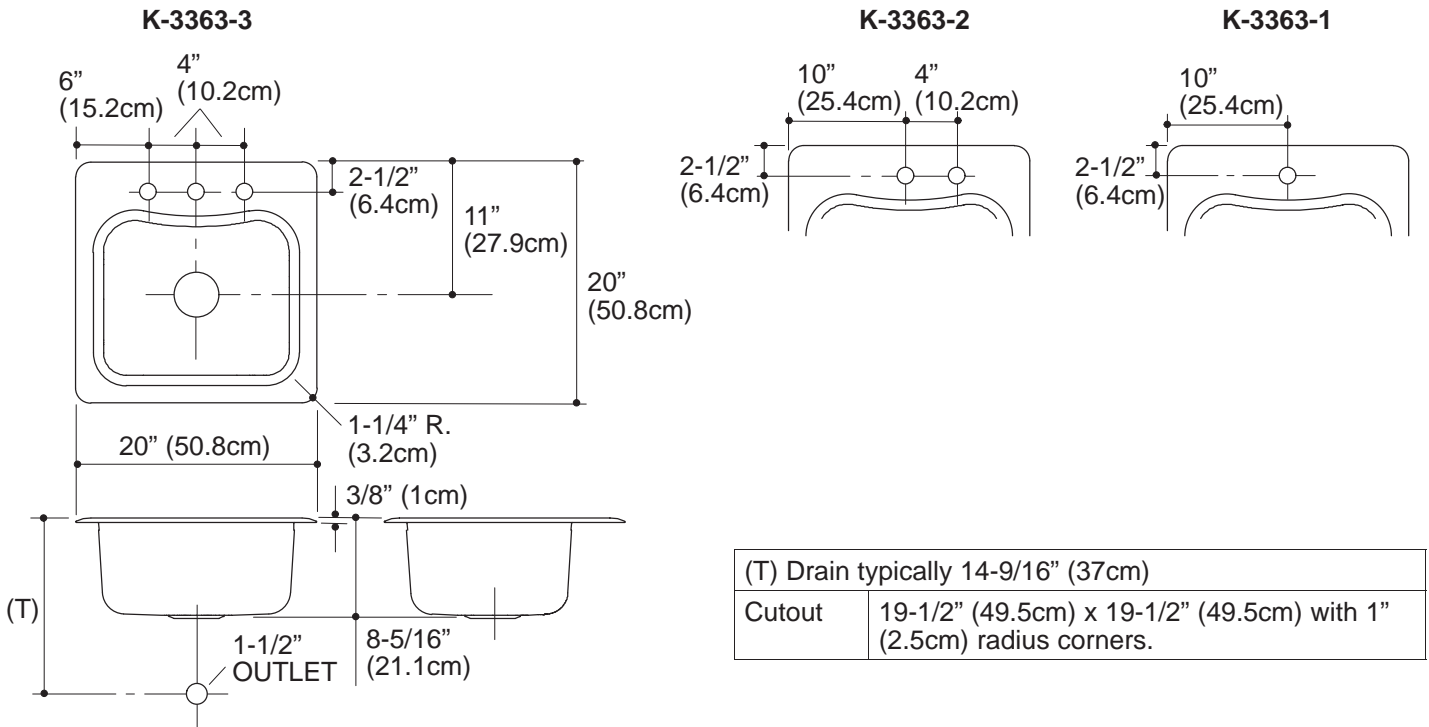
The self-rimming sink shall be 20" (50.8cm) in length, and 20" (50.8cm) in width. Sink shall be made of 18 gauge stainless steel. Sink shall be single compartment. Sink shall be 3-hole (K-3363-3), 2-hole (K-3363-2) or single-hole (K-3363-1) faucet punched. Sink shall include installation hardware. Sink shall be Kohler Model K-3363-_____-_____-_____.

STACCATO™

PRODUCT INFORMATION

Fixture*:	basin area	water depth
Sink	16-1/8" (41cm) x 13-9/16" (34.4cm)	8" (20.3cm)
Outlet	3-5/8" D. (9.2cm)	
Faucet holes	1-7/16" D. (3.7cm)	

* Approximate measurements for comparison only.



116

PRODUCT DIAGRAM